

GFWMICBCBM4000

PROFESSIONAL BROADCAST/PODCAST MICROPHONE BOOM STAND
WITH ON-AIR INDICATOR LIGHT

GATOR
frameworks

COPYRIGHT GATOR CO. - ALL RIGHTS RESERVED - 10.14.2020 - REV:A

Instruction Manual

GFWMICBM4000 offers two desk mounting options a desk clamp or desk insert.

Mounting with the Desk Clamp



Unscrew the clamp so that the opening is large enough to fit over the edge of your desk.

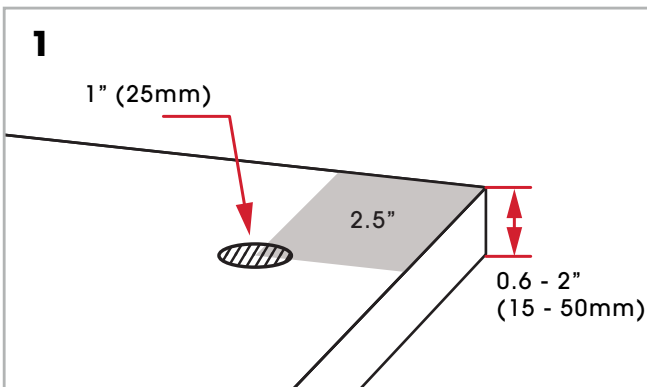


Push the clamp all the way onto the desk edge. Then, fasten the clamp to the desk by turning the knob tightening it in place.

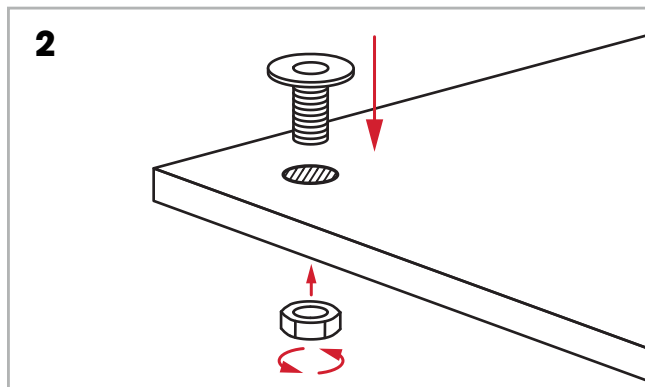


Insert the arm into the hole at the top of the clamp. Then, insert and tighten the mic holder on the top of the boom.

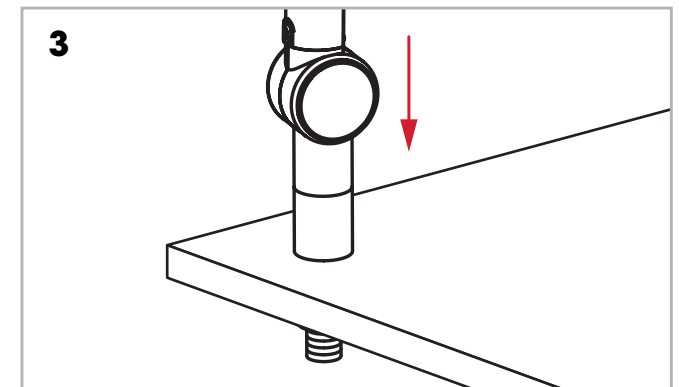
Mounting with the Desk Insert



Use a 1" hole cutter and drill out a hole at least 2.5" from the edges of the desk.



Unscrew the nut from the desk insert and drop it into the hole. Screw the nut onto the desk insert from the underside until it is tight.



Insert the arm into the hole in the top of the desk insert.



GFWMICBCBM4000

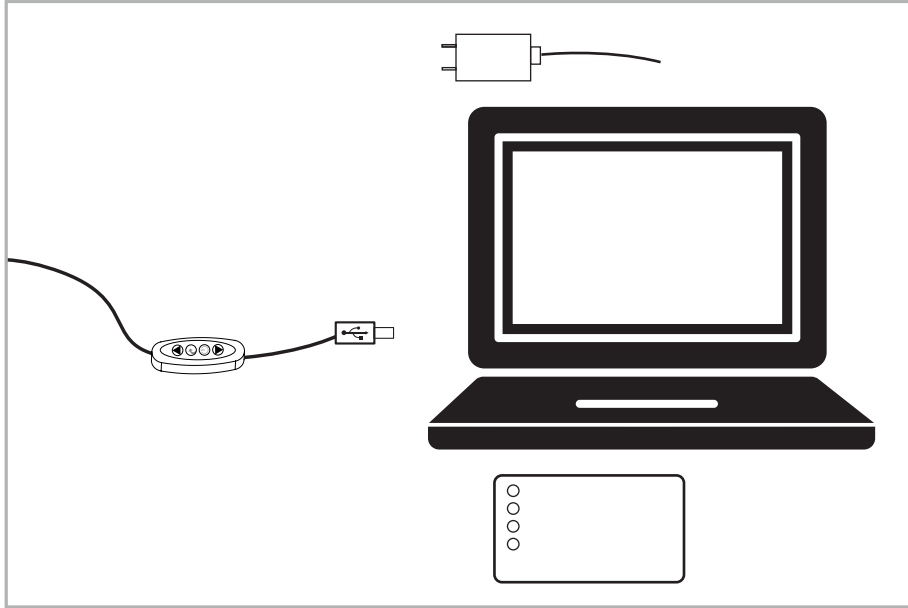
PROFESSIONAL BROADCAST/PODCAST MICROPHONE BOOM STAND
WITH ON-AIR INDICATOR LIGHT

GATOR
frameworks

COPYRIGHT GATOR CO. - ALL RIGHTS RESERVED - 10.14.2020 - REV:A

Instruction Manual

USB Power

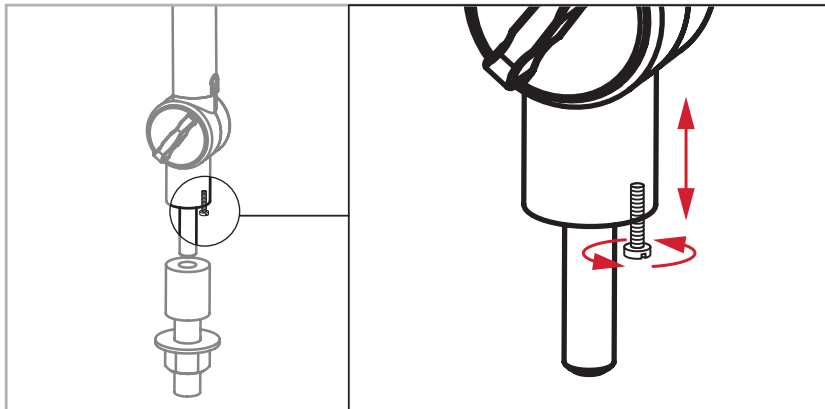


Plug the USB power supply to any device with a USB connector to power the GFWMICBCBM4000.

Power Switch



Tension Adjustment Screw



To make fine-tune tension adjustments turn the screw left to decrease tension and turn right to increase tension.

