

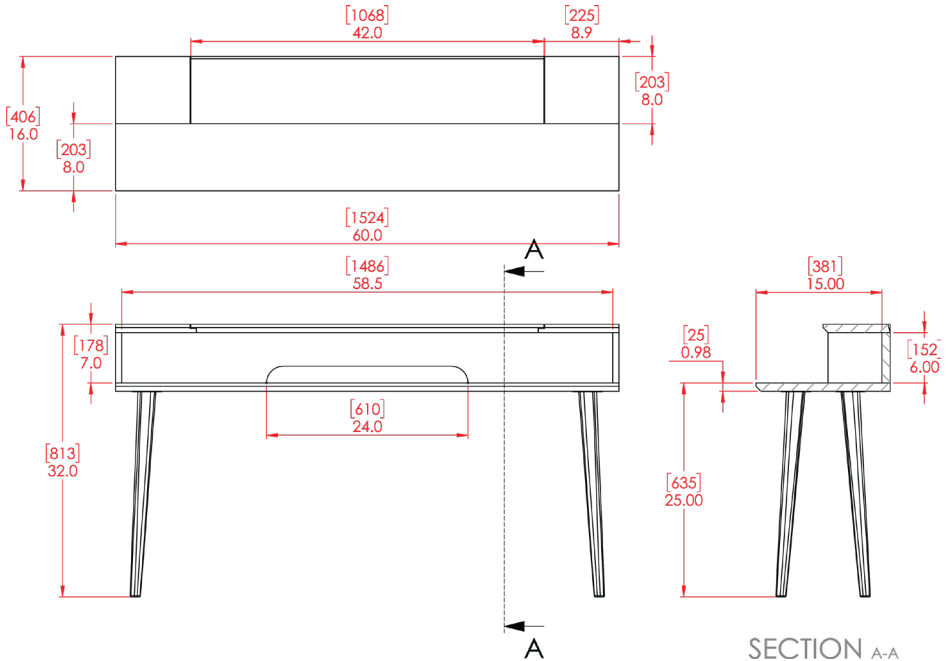
ELITE KEYBOARD TABLE 88-NOTE

GFW-ELITEKEYTBL88

GATORFRAMEWORKS

COPYRIGHT GATOR CO. • ALL RIGHTS RESERVED • 04/2021 • REV.A

PRODUCT DIMENSIONS



Compact Overall	60" x 32" x 16" (1524 x 813 x 406mm)
Top Surface	60" x 8" (1524 x 203)
Keyboard Surface	58.5" x 15" x 6" (1486 x 381 x 152mm)
Material	Laminated Plywood with Powder Coated Steel Legs
Color/ Finish	Gray, Brown, or Maple Melamine Laminate with Matte Black Legs
Product Weight	52.3 lbs (23.7kg)
Max Weight Capacity	250 lbs (113kg)

GATORFRAMEWORKS IS DEDICATED TO PRODUCING THE HIGHEST QUALITY STANDS AND ACCESSORIES. WE BACK UP THAT COMMITMENT WITH A 3 YEAR WARRANTY ON ANY MANUFACTURING DEFECTS IN MATERIAL AND WORKMANSHIP. THIS WARRANTY APPLIES TO THE ORIGINAL OWNER AND REQUIRES PROOF OF PURCHASE. OUR WARRANTY ENTITLES THE ORIGINAL OWNER REPAIR OR REPLACEMENT OF THE PRODUCT OR REPLACEMENT WITH A COMPARABLE PRODUCT OF SIMILAR VALUE AND CONDITION AT OUR DISCRETION. THIS WARRANTY IS LIMITED TO GATOR FRAMEWORKS PRODUCTS ONLY AND EXCLUDES LOSS OF PERSONAL PROPERTY, LOSS OF USE, ACCIDENTAL DAMAGE, MISUSE, OR NORMAL WEAR AND TEAR.



5112 W. Linebaugh Ave. • Tampa, FL • Phone: (+1) 813.221.4191 • Fax (+1) 813.221.4181

Visit GatorCases.com for more service & product information • All rights reserved Gator Co.

FOR FULL WARRANTY INFORMATION VISIT

GATORFRAMEWORKS.COM